



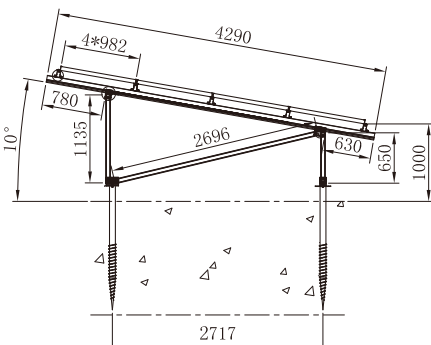
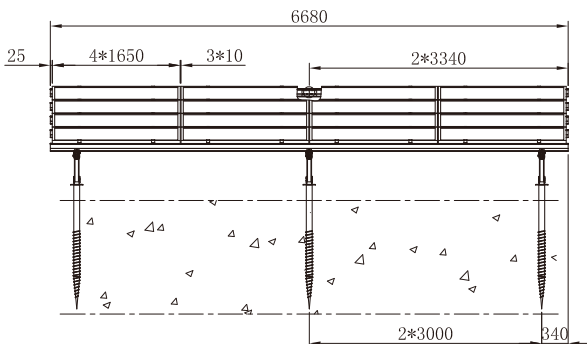
Eguchi Holdings has constructed solar power plants in Japan for the last 5 years with total energy output capacity of at least 15 Megawatts.

Located in at least 50 different locations across Japan, our power plants have helped reduce the need for electricity coming from the burning of fossil fuels and dangerous nuclear energy. Providing clean, reliable and safe energy to homes and industries is our utmost priority and specialty.



## The Products we supply

### Aluminum Stand

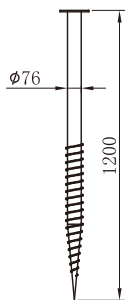


The aluminum stages is made of 100% aluminum for mounting on concrete strip foundations or ground screws. The light and strong AL-Ground System is suitable for solar systems all over the world.

### Specifications

Installation Site:	Open field
Max wind Load:	Up to 60m/s
Max snow Load:	1.4KN/m <sup>2</sup>
Applicable Module:	Framed or Frameless
Module Orientation:	Portrait
Main Material:	100% Anodized Aluminum
Fastener Material:	Stainless Steel

### Screw



EHJ ground screw is a method of modern foundation construction that is efficient and requires no concrete. Its success in Japan assures the quality and have the utmost stability, fast assembly and guaranteed safety, even when subjected to the strongest winds and vertical loads.

- No digging, no concreting
- Proven high pressures, pulling-out force and lateral pressure loads
- Utmost stability and durability
- Instantly loadable, no waiting period
- No soil sealing
- Surroundings not impacted
- Easy deconstruction allows instant relocation